
DATE OF ISSUE: 2008.04.26

SPECIFICATION

MODEL: LMP-004-W

CUSTOMER :-----

| DRAWNED BY | CHECKED BY | APPROVED BY |
|------------|------------|-------------|
| | | |

SHENZHEN XINYIHAI CO., LTD.

Add:# Room 916, 10/F, Block North, International Business Building, Jiabing Road ShenZhen
China

[Http://www.ledmodulechina.com](http://www.ledmodulechina.com)

Email: sales@ledmodulechina.com

Tel: 0086-13266748568

Contents

| | |
|--|---|
| 1. Product introduction----- | 1 |
| 2. Outline Drawing And Dimension ----- | 2 |
| 3. Characteristics ----- | 3 |
| 4. Material part list ----- | 4 |
| 5. Package Structure ----- | 5 |

■ Introduction

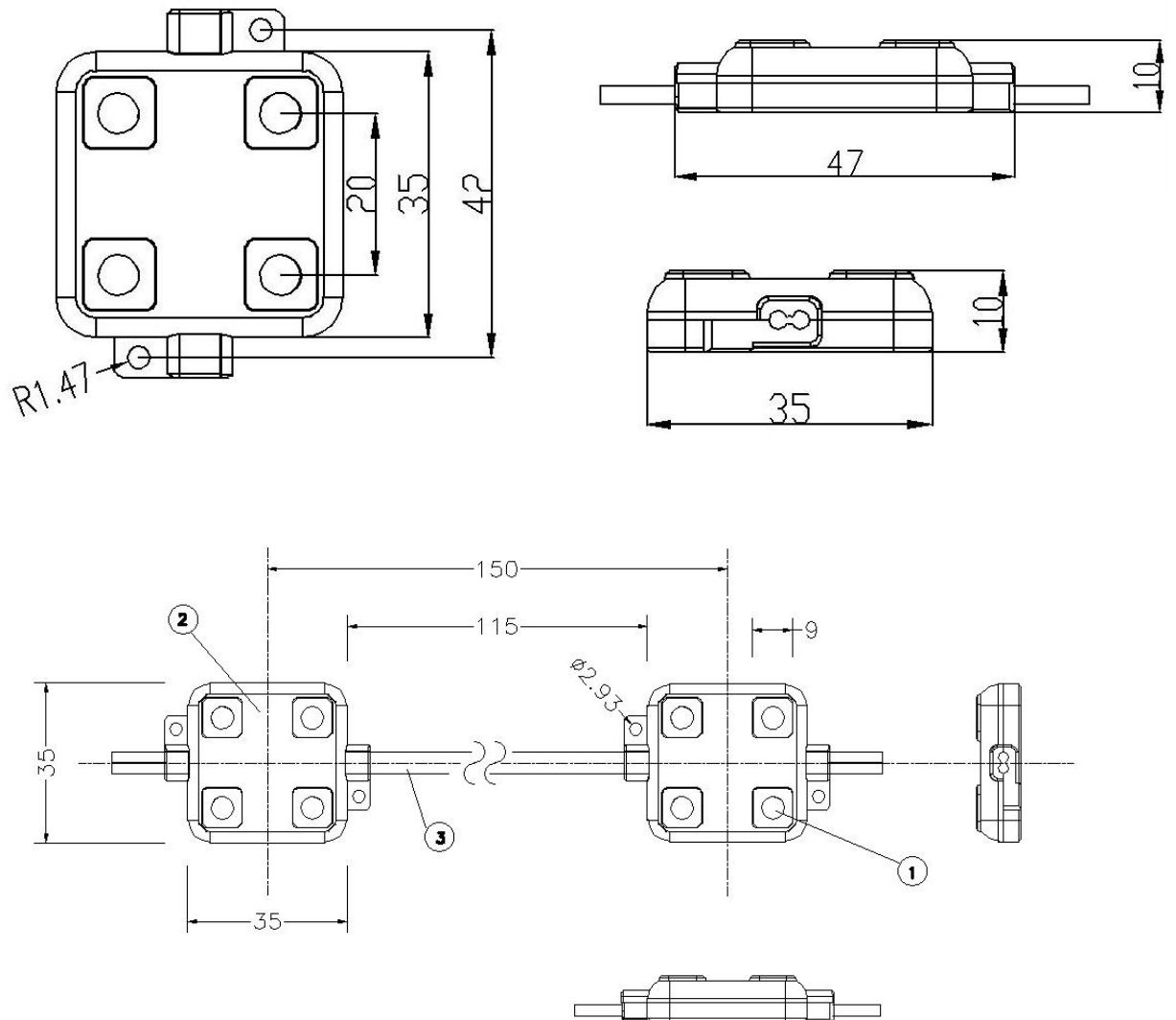
The high-quality SMD LEDs chip is adopted as the luminophor. It provides copper wire connection between modules to effectively prevent the oxidation. The segment-welding type design avoids the phenomenon shut by ill plug-in unit connect.

The waterproof [led module](#) adopts the high-quality hermetic Ultrasonic melting and uses waterproof material inside. The complete waterproof design can achieve the IP67 protection grade. It can be utilized together with the waterproof power supply.

In order to provide high-quality lighting, we adopt high-performance SAMSUNG SMT type LED from KOREA, which has obtained official patent license in the world, and can offer excellent electronic and optical features.

The LED module can be widely applied as the lighting source to the three-dimensionally flashing advertisement boards, marks and advertisement lamp boxes. It can also be used as the lighting source for decoration projects or stage lighting. It features high brightness, low power-loss, wide lighting angle, excellent quality and stable performance.

■ Outline Drawing and Dimension



■ MODULE Material list

| | Part Name | Specification | Remark |
|---|---------------|--------------------|------------------------------|
| 1 | LED | SLSNNWH825TSASSS | Samsung |
| 2 | Module Casing | 35mm X 35mm X 10mm | PC/ABS semitransparent white |
| 3 | Double Wire | AWG18 SPT-105 CSA | Length: Optional |
| 4 | Adhesive Tape | 30mm X 30mm | 3M VHB, T=0.6mm |
| 5 | Waterproof | Ultrasonic Joint | IP-67 |
| | | | |

■ Specification of datasheet

| | Unit | LMP-004-W | Remark |
|-----------------------------|--------|--------------|--------------|
| LED Color | | White | SMD type |
| LED Qty | pcs | 4 | |
| LED View Angle | degree | 120 | |
| Forward Current | mA | 30 | Work Current |
| Work Voltage | V | 12 | DC |
| Power consumption | W | 0.8 | |
| Operating Temperature Range | °C | -30°C ~ 85°C | |
| Storage Temperature Range | °C | -40°C ~100°C | |
| Module Qty of a Batch | pcs | 50 | Optional |

■ Product & Reel Structure





■ Outer Box Structure

L * W* H= 55.50*37.70*31.60cm